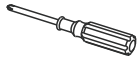


BELLATERRA HOME

Model: 9005-24

Tools List (Not included)



Screwdriver



Silicone

Parts List (Included)



Screw
(12pcs)

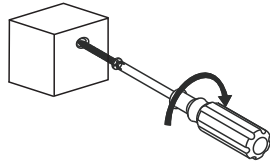
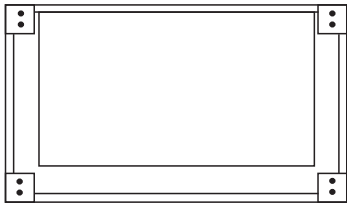


Metal Feet
(4pcs)



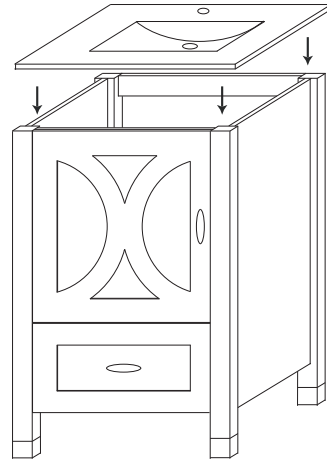
Foam pad
(4pcs)

Flip the vanity with the back side down on a soft surface. Align and fasten the 4 metal legs with screws to the pre-drilled holes on the bottom of the cabinet legs.



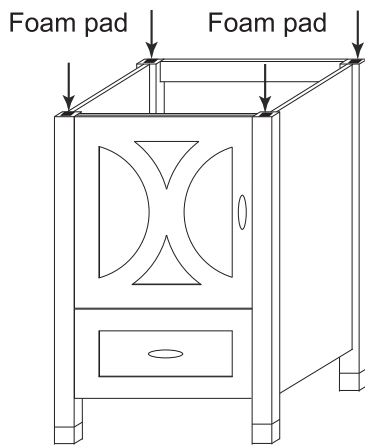
Step 1

Put the integrated ceramic sink on the top of vanity, and check if it stays firm on the vanity.



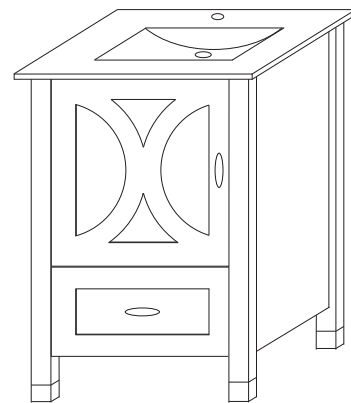
Step 2

If the ceramic sink is not staying firm on the vanity, please use the foam pad to fill the gap.



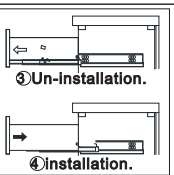
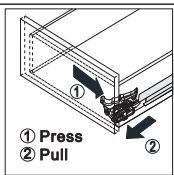
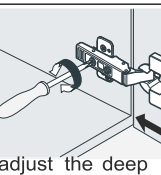
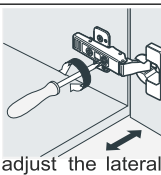
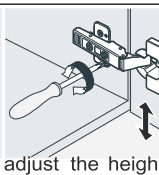
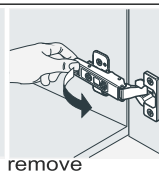
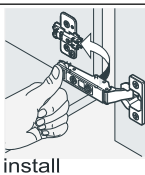
Step 3

Finally, place the ceramic sink again to check the stability.



Step 4

INSTALLATION TIPS:



NOTE: SINK STYLE, SHAPE, FAUCET HOLES, CUTOUT ON TOP, VANITY MAY VARY FROM THE PICTURE ABOVE. INSTRUCTIONAL PURPOSE ONLY.

Professional installation is recommended.
www.bellaterra-home.com

Bellaterra Home LLC, All Rights Reserved 2016